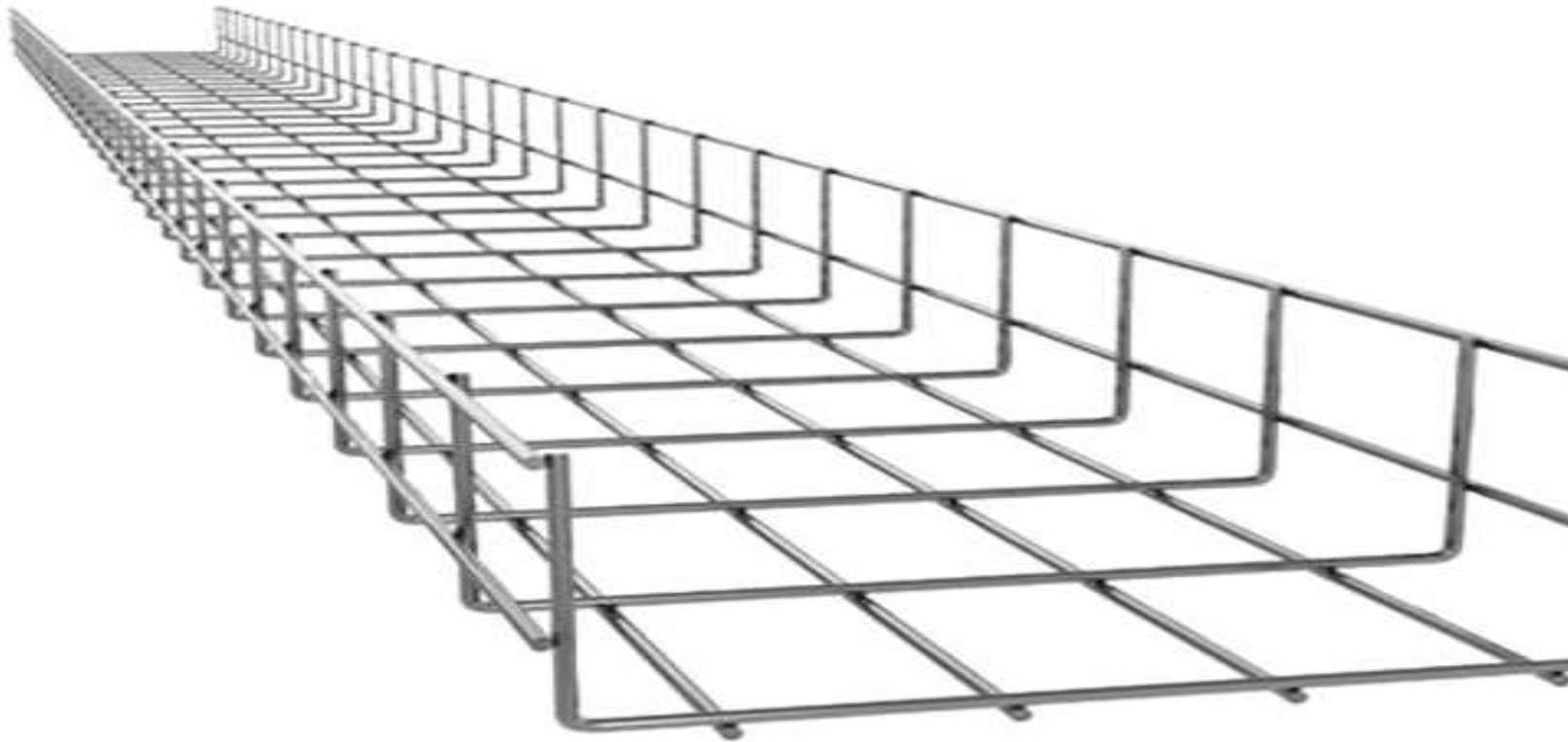


4. Wire Basket Cable Tray



4.1 Wire Basket Tray Straight Element

| Code # | Width (W) (mm) | Side Height (H) (mm) | Rod Dia. (mm) |
|--|----------------|----------------------|---------------|
| 4.1 Wire Basket Tray - Straight Element | | | |
| PG-BCT-50-50 | 50 | 50 | 4 |
| PG-BCT-50-100 | 100 | | |
| PG-BCT-50-200 | 200 | | |
| PG-BCT-50-300 | 300 | | |
| PG-BCT-50-400 | 400 | | |
| PG-BCT-50-500 | 500 | | |
| PG-BCT-50-600 | 600 | | |

Material:

Carbon Steel & Stainless Steel

Side Standard height:

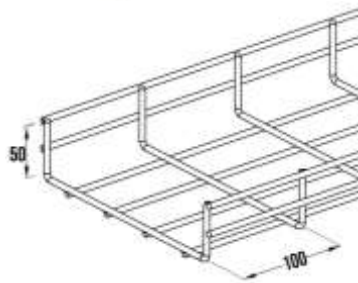
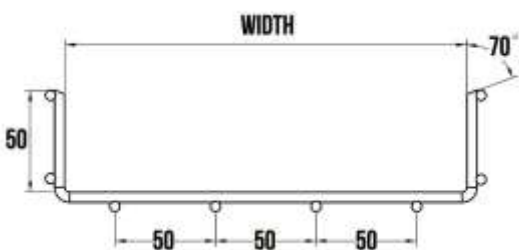
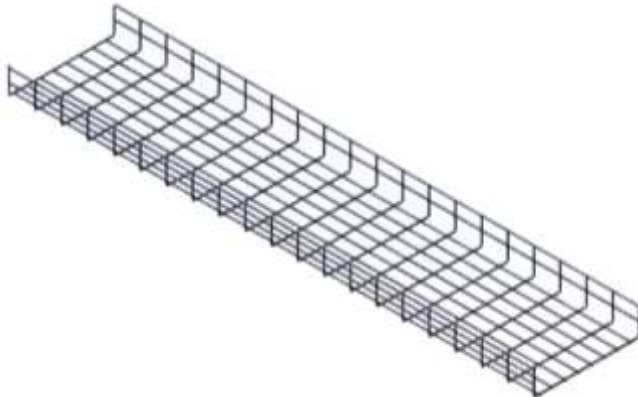
50 mm & 100 mm

Standard Length: 2000 & 3000 mm

Standard Width: 50 Up to 600 mm

Rod Dia. : 4 mm & 5 mm & 6 mm

**Standard Wire Mesh size:
(50 X 100) mm**



| | | | | |
|--------------------|----------------------|------------------------------|-------------------------|-------------------------|
| How to order : | (Example) | PG- BCT - 50 - 100 - HD - R5 | | |
| Code Description : | PG : PG-Line | BCT : Wire Basket Cable Tray | 50 : Basket Side Height | 100 : Basket Tray Width |
| Material Type : | S : Steel | SS : Stainless Steel | | |
| Rod Dia. (R) : | 4 & 5 & 6 mm | | | |
| Surface Finish : | SS : Stainless Steel | HD : Hot Dip Galvanized | | |

4.1 Wire Basket Tray Straight Element

| Code # | Width (W) (mm) | Side Height (H) (mm) | Rod Dia. (mm) |
|--|----------------|----------------------|---------------|
| 4.1 Wire Basket Tray - Straight Element | | | |
| PG-BCT-100-100 | 100 | 100 | 4 |
| PG-BCT-100-200 | 200 | | & |
| PG-BCT-100-300 | 300 | | 5 |
| PG-BCT-100-400 | 400 | | & |
| PG-BCT-100-500 | 500 | | 6 |
| PG-BCT-100-600 | 600 | | |

Material:

Carbon Steel & Stainless Steel

Side Standard height:

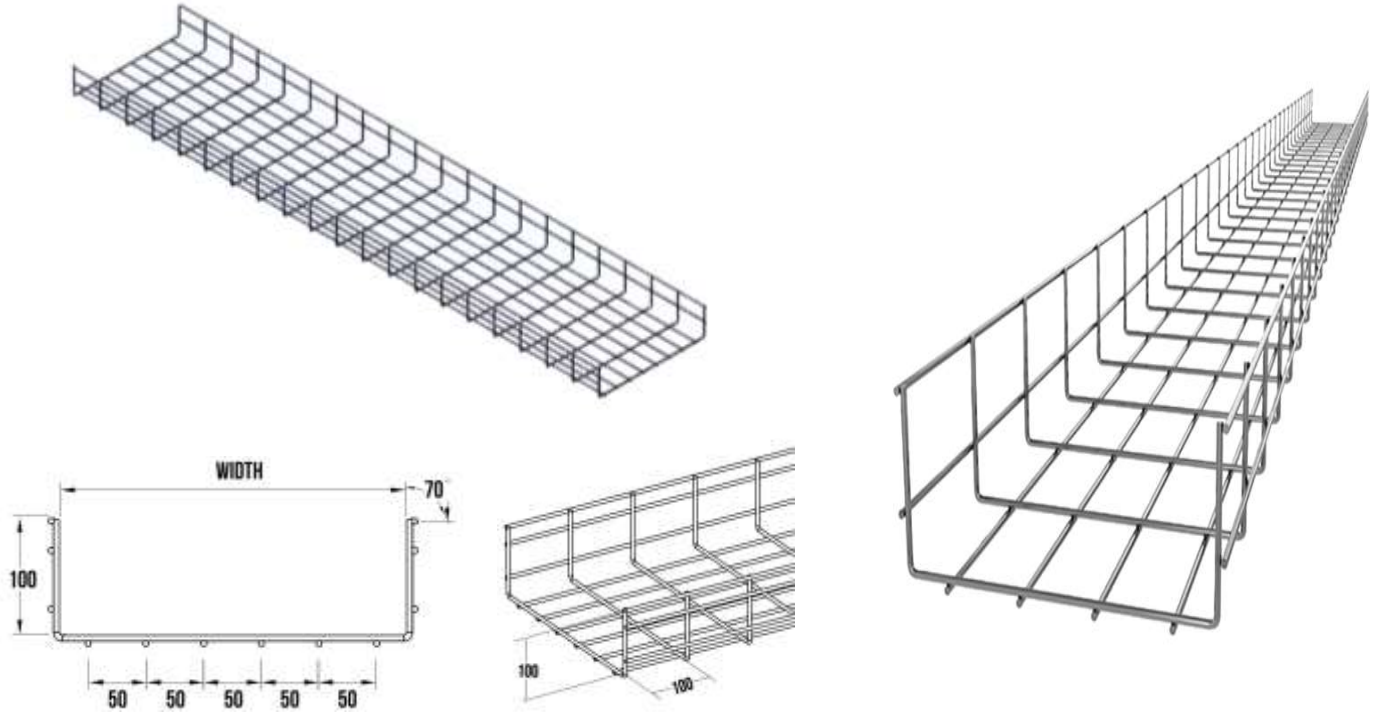
50 mm & 100 mm

Standard Length: 2000 & 3000 mm

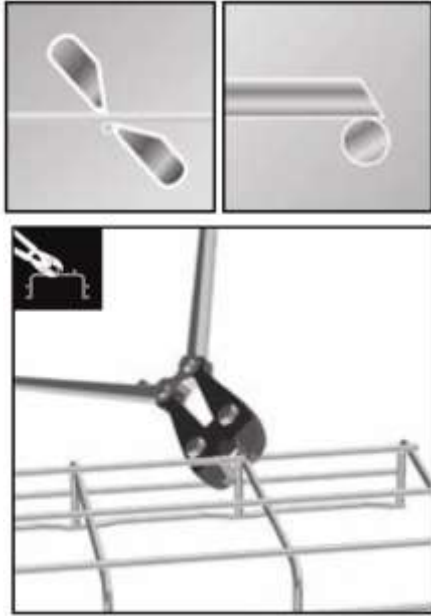
Standard Width: 50 Up to 600 mm

Rod Dia. : 4 mm & 5 mm & 6 mm

**Standard Wire Mesh size:
(50 X 100) mm**



| | | | | |
|--------------------|----------------------|------------------------------|-------------------------|-------------------------|
| How to order : | (Example) | PG- BCT - 50 - 100 - HD - R5 | | |
| Code Description : | PG : PG-Line | BCT : Wire Basket Cable Tray | 50 : Basket Side Height | 100 : Basket Tray Width |
| Material Type : | S : Steel | SS : Stainless Steel | | |
| Rod Dia. (R) : | 4 & 5 & 6 mm | | | |
| Surface Finish : | SS : Stainless Steel | HD : Hot Dip Galvanized | | |



4.2 Wire Basket Tray Fittings:

Material:

Carbon Steel & Stainless Steel

Side Standard height:

50 mm & 100 mm

Standard Width: 50 Up to 600 mm

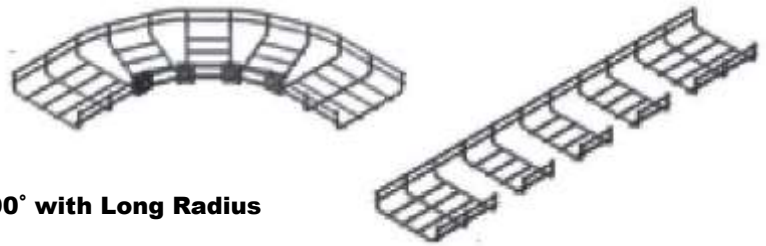
Rod Dia. : 4 mm & 5 mm & 6 mm

**Standard Wire Mesh size:
(50 X 100) mm**

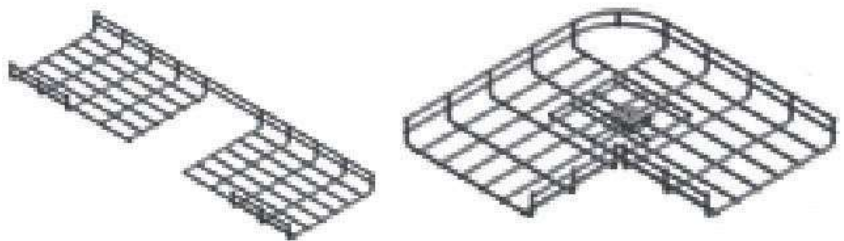
HOW TO CUT WIRE BASKET CABLE TRAY

- Always use side action bolt cutters.
- Angle all cuts away from the new end.
- Cut each wire with one clean cut – eliminating any grinding or touch-up.

4.2.1 Wire Basket Tray Horizontal Elbow 90°

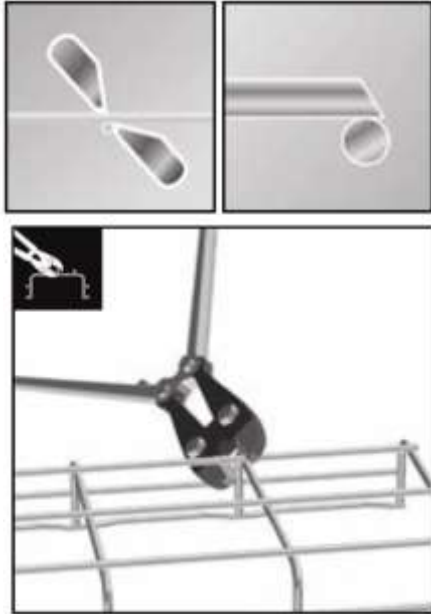


Horizontal Elbow 90° with Long Radius



Horizontal Elbow 90° with Short Radius

| | | | | |
|--------------------|----------------------|------------------------------|-------------------------|-------------------------|
| How to order : | (Example) | PG- BCT – 50 – 100 – HD – R5 | | |
| Code Description : | PG : PG-Line | BCT : Wire Basket Cable Tray | 50 : Basket Side Height | 100 : Basket Tray Width |
| Material Type : | S : Steel | SS : Stainless Steel | | |
| Rod Dia. (R) : | 4 & 5 & 6 mm | | | |
| Surface Finish : | SS : Stainless Steel | HD : Hot Dip Galvanized | | |



4.2 Wire Basket Tray Fittings:

Material:

Carbon Steel & Stainless Steel

Side Standard height:

50 mm & 100 mm

Standard Width: 50 Up to 600 mm

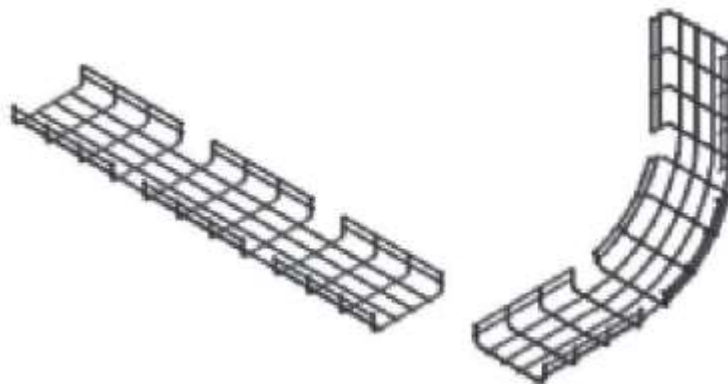
Rod Dia. : 4 mm & 5 mm & 6 mm

**Standard Wire Mesh size:
(50 X 100) mm**

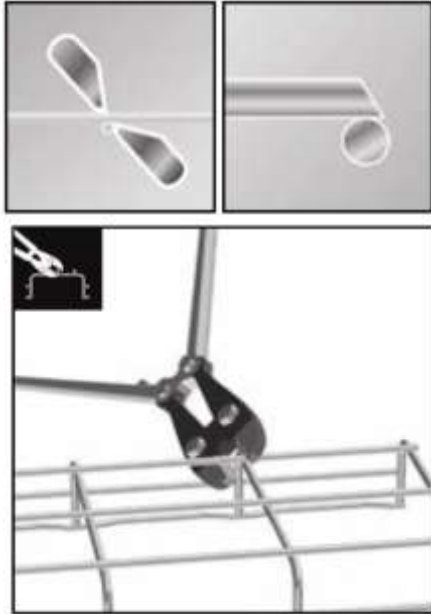
HOW TO CUT WIRE BASKET CABLE TRAY

- Always use side action bolt cutters.
- Angle all cuts away from the new end.
- Cut each wire with one clean cut – eliminating any grinding or touch-up.

4.2.2 Wire Basket Tray Vertical Inside Elbow 90°



| | | | | |
|--------------------|----------------------|------------------------------|-------------------------|-------------------------|
| How to order : | (Example) | PG- BCT – 50 – 100 – HD – R5 | | |
| Code Description : | PG : PG-Line | BCT : Wire Basket Cable Tray | 50 : Basket Side Height | 100 : Basket Tray Width |
| Material Type : | S : Steel | SS : Stainless Steel | | |
| Rod Dia. (R) : | 4 & 5 & 6 mm | | | |
| Surface Finish : | SS : Stainless Steel | HD : Hot Dip Galvanized | | |



4.2 Wire Basket Tray Fittings:

Material:

Carbon Steel & Stainless Steel

Side Standard height:

50 mm & 100 mm

Standard Width: 50 Up to 600 mm

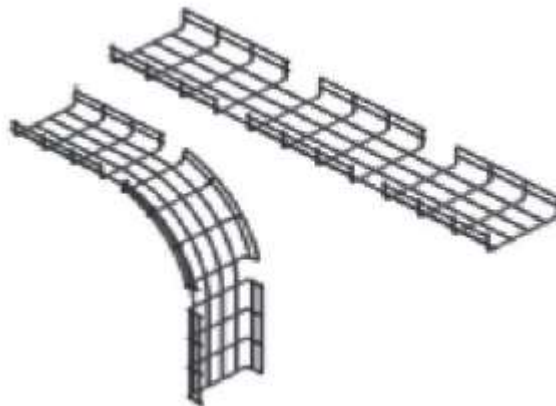
Rod Dia. : 4 mm & 5 mm & 6 mm

**Standard Wire Mesh size:
(50 X 100) mm**

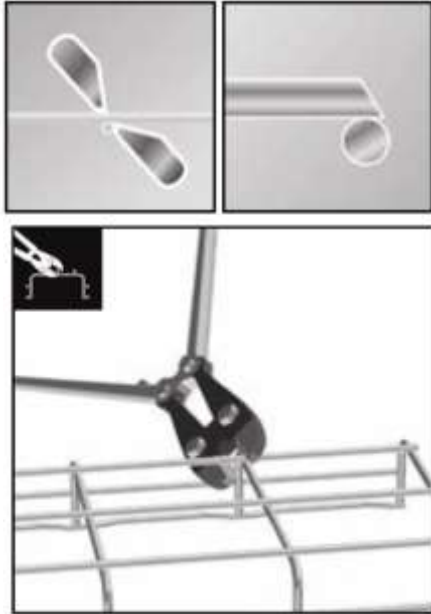
HOW TO CUT WIRE BASKET CABLE TRAY

- Always use side action bolt cutters.
- Angle all cuts away from the new end.
- Cut each wire with one clean cut – eliminating any grinding or touch-up.

4.2.3 Wire Basket Tray Vertical Outside Elbow 90°



| | | | | |
|--------------------|----------------------|------------------------------|-------------------------|-------------------------|
| How to order : | (Example) | PG- BCT – 50 – 100 – HD – R5 | | |
| Code Description : | PG : PG-Line | BCT : Wire Basket Cable Tray | 50 : Basket Side Height | 100 : Basket Tray Width |
| Material Type : | S : Steel | SS : Stainless Steel | | |
| Rod Dia. (R) : | 4 & 5 & 6 mm | | | |
| Surface Finish : | SS : Stainless Steel | HD : Hot Dip Galvanized | | |



4.2 Wire Basket Tray Fittings:

Material:

Carbon Steel & Stainless Steel

Side Standard height:

50 mm & 100 mm

Standard Width: 50 Up to 600 mm

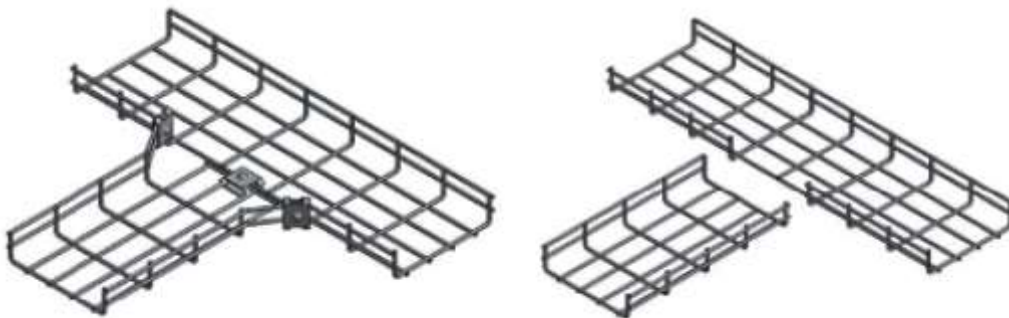
Rod Dia. : 4 mm & 5 mm & 6 mm

**Standard Wire Mesh size:
(50 X 100) mm**

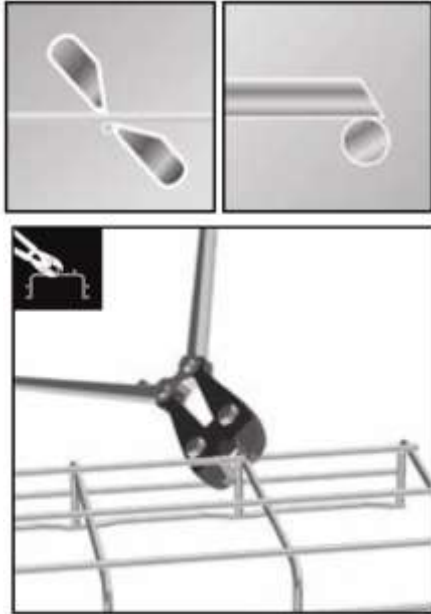
HOW TO CUT WIRE BASKET CABLE TRAY

- Always use side action bolt cutters.
- Angle all cuts away from the new end.
- Cut each wire with one clean cut – eliminating any grinding or touch-up.

4.2.4 Wire Basket Tray Horizontal Tee



| | | | | |
|--------------------|----------------------|------------------------------|-------------------------|-------------------------|
| How to order : | (Example) | PG- BCT – 50 – 100 – HD – R5 | | |
| Code Description : | PG : PG-Line | BCT : Wire Basket Cable Tray | 50 : Basket Side Height | 100 : Basket Tray Width |
| Material Type : | S : Steel | SS : Stainless Steel | | |
| Rod Dia. (R) : | 4 & 5 & 6 mm | | | |
| Surface Finish : | SS : Stainless Steel | HD : Hot Dip Galvanized | | |



4.2 Wire Basket Tray Fittings:

Material:

Carbon Steel & Stainless Steel

Side Standard height:

50 mm & 100 mm

Standard Width: 50 Up to 600 mm

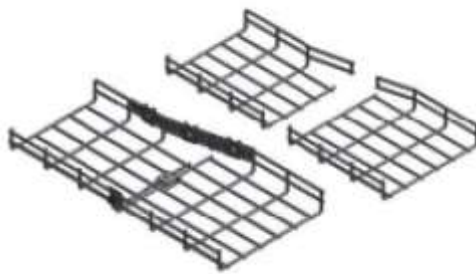
Rod Dia. : 4 mm & 5 mm & 6 mm

**Standard Wire Mesh size:
(50 X 100) mm**

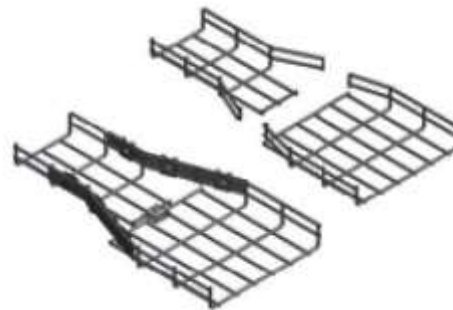
HOW TO CUT WIRE BASKET CABLE TRAY

- Always use side action bolt cutters.
- Angle all cuts away from the new end.
- Cut each wire with one clean cut – eliminating any grinding or touch-up.

4.2.6 Wire Basket Tray Horizontal Reducer

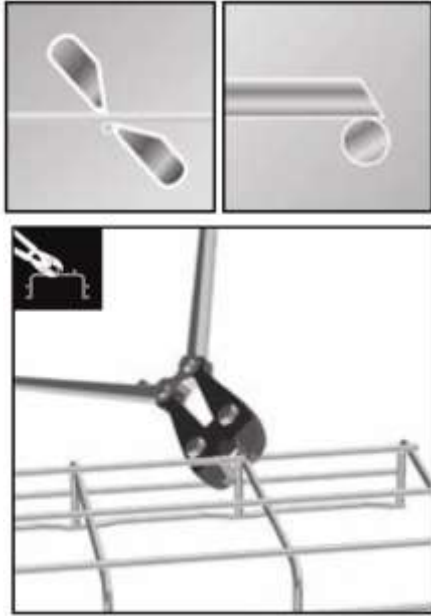


Horizontal Reducer (L/H Type)



Horizontal Reducer (Center type)

| | | | | |
|--------------------|----------------------|------------------------------|-------------------------|-------------------------|
| How to order : | (Example) | PG- BCT – 50 – 100 – HD – R5 | | |
| Code Description : | PG : PG-Line | BCT : Wire Basket Cable Tray | 50 : Basket Side Height | 100 : Basket Tray Width |
| Material Type : | S : Steel | SS : Stainless Steel | | |
| Rod Dia. (R) : | 4 & 5 & 6 mm | | | |
| Surface Finish : | SS : Stainless Steel | HD : Hot Dip Galvanized | | |



4.2 Wire Basket Tray Fittings:

Material:

Carbon Steel & Stainless Steel

Side Standard height:

50 mm & 100 mm

Standard Width: 50 Up to 600 mm

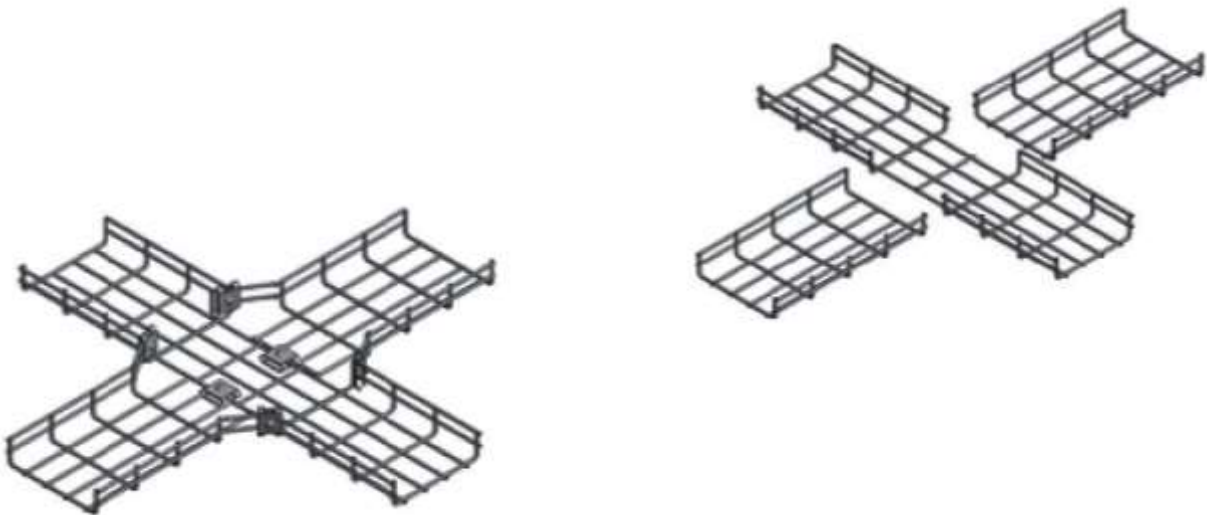
Rod Dia. : 4 mm & 5 mm & 6 mm

**Standard Wire Mesh size:
(50 X 100) mm**

HOW TO CUT WIRE BASKET CABLE TRAY

- Always use side action bolt cutters.
- Angle all cuts away from the new end.
- Cut each wire with one clean cut – eliminating any grinding or touch-up.

4.2.5 Wire Basket Tray Horizontal Cross



| | | | | |
|--------------------|----------------------|------------------------------|-------------------------|-------------------------|
| How to order : | (Example) | PG- BCT – 50 – 100 – HD – R5 | | |
| Code Description : | PG : PG-Line | BCT : Wire Basket Cable Tray | 50 : Basket Side Height | 100 : Basket Tray Width |
| Material Type : | S : Steel | SS : Stainless Steel | | |
| Rod Dia. (R) : | 4 & 5 & 6 mm | | | |
| Surface Finish : | SS : Stainless Steel | HD : Hot Dip Galvanized | | |